



HYDRAULIC ROCK BREAKER

# SD6



**NEW** KEY ASSET  
FOR ALL JOBSITES

DESIGNED FOR 700 KG  
TO 1.2 TON CARRIERS

POWERFUL,  
SAFE AND COMPACT

LANDSCAPING, DEMOLITION,  
TRENCHING, CIVIL ENGINEERING,  
INSIDE AND OUTSIDE:  
VERSATILE AND EFFICIENT

## BENEFITS

- **Hydraulic accumulator:** no more regular nitrogen controls and recharges on jobsites.
- **Tie rod free:** less weight and cost, more power and reliability.
- **Made in France:** superior quality steel and manufacturing excellence.
- **Improved soundproofing :** lower noise levels for urban jobsites.
- **Easy handling:** two lifting points to handle the breaker with perfect balance and safety, also acting as hoses protection.
- **Tool changing:** new user friendly, simple, safe and reliable system, with one single retainer.



# NEW KEY ASSET FOR ALL JOBSITES

## WEIGHT & DIMENSIONS

### WEIGHT (KG / LB)

BREAKER	55	120
+ MOUNTED TOOL	59	128
+ MOUNTED ADAPTER PLATE (MIN - MAX)	70 - 73	155 - 161

### DIMENSIONS (MM / IN)

A	865	34
B	200	8
C	281	11
D	595	23
E	147	6
F	172	7
G	24	0.94

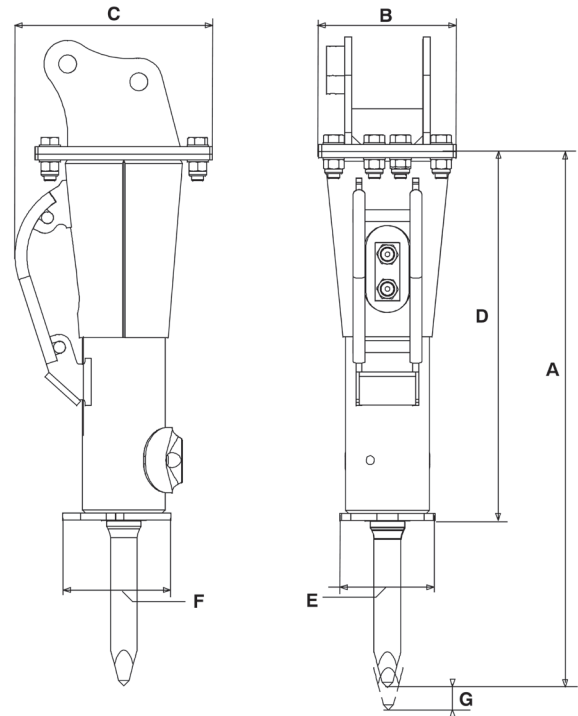
## OPERATING INFORMATION

CARRIER WEIGHT RANGE (MIN-MAX, T)	0.7 - 1.2	
OIL FLOW (MIN-MAX, L/MIN / GPM)	12 - 23	3.2 - 6
MAXIMUM OPERATING PRESSURE (BAR / PSI)	110	1,600
MAXIMUM BACK PRESSURE (BAR / PSI)	20	290
INPUT POWER (KW)	4.2	
STRIKING FREQUENCY (MIN-MAX, BPM)	725 - 1,460	
GUARANTEED NOISE LEVEL (DB LWA)	118	
SOUNDPROOFING	standard	
HOSE PROTECTION	standard	

## MAINTENANCE KITS

### CPN

LEVEL 1	86651056
LEVEL 2	101112768
LEVEL 3 (+2 WARRANTY YEARS*)	101112769



## CONSUMABLES

### CPN

GREASE CARTRIDGES (X48)

86799152

## OPTIONS

### CPN

ADAPTER PLATE

upon request

SPECIAL PAINTING

upon request

## TOOLS

DIAMETER (MM / IN)	37 / 1.45	37 / 1.45
LENGTH (MM / IN)	438 / 17.2	438 / 17.2
WEIGHT (KG / LB)	3.7 / 8	3.37 / 7.42
CPN	86646106	86646114



The content of this brochure constitutes non-binding information and may be changed at any time without notice. Montabert gives, and the brochure contains, no warranties whatsoever, express or implied. All the contents, including but not limited to text, images, graphics are all subject to copyright and all intellectual property protection. Their use or misuse is strictly prohibited. Montabert brand and logo used herein are the property of Montabert. Nothing contained on this document shall be construed as constituting any commitment by Montabert or as granting any license or right to use any intellectual property. ©2021 Montabert. All rights reserved.

montabert.com

\*see warranty conditions

